



# M18 BDD

SERVICE PARTS DIAGRAM

TTI Model Number: 018 069 020, 021, 023

M18 COMPACT DRILL DRIVER

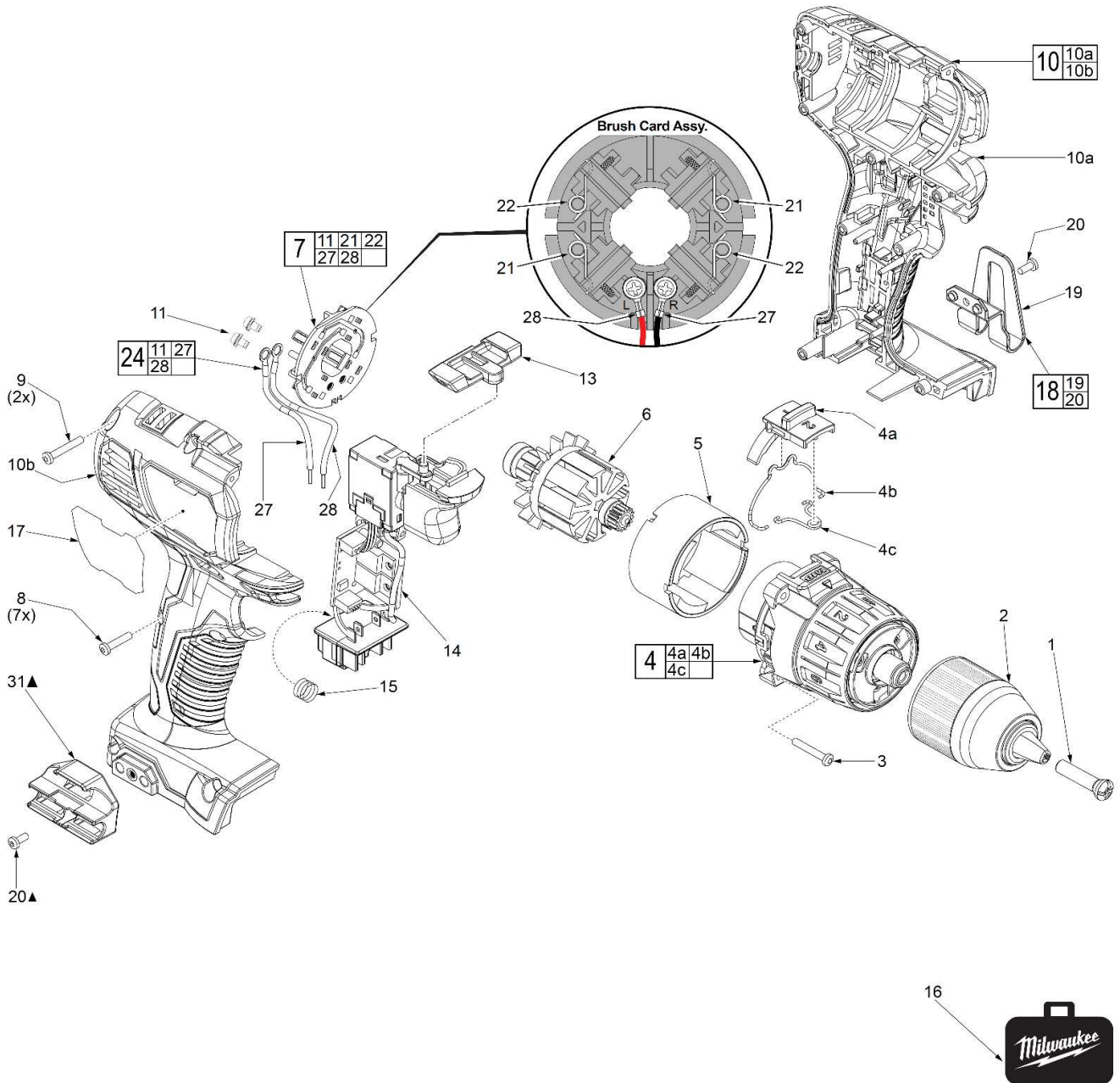
Bulletin Date:

Mar-20

Starting Serial Number:

VERSION A - C2014

**EXAMPLE:**  
00 0 Component Parts (Small #) Are Included  
When Ordering The Assembly (Large #).





# M18 BDD

SERVICE PARTS LIST

TTI Model Number: 018 069 020, 021, 023

**M18 COMPACT DRILL DRIVER**

**Bulletin Date:**

**Mar-20**

**Starting Serial Number:**

**VERSION A - C2014**

ITEM	PART NUMBER	PART DESCRIPTION	QTY (PCS)
1	660134002	CHUCK SCREW	1
2	670842015	CHUCK (NEW)	1
2	670842002	CHUCK (OLD)	1
3	661922001	M3 X 18MM SCREW	4
4	201069002	GEAR BOX ASSEMBLY	1
4a	351522001	SPEED SELECTOR SLIDE	1
4b	693612002	SPEED CHANGE LEVER	1
4c	693613001	TORSION SPRING	1
5	741496001	FIELD	1
6	201069004	ARMATURE	1
7	203907001	BRUSH CARD ASSEMBLY	1
8	660851001	M3 X 16MM SCREW	7
9	660230009	M3 X 20MM SCREW	2
10	201070019	HANDLE ASSEMBLY	1
10a	-	LEFT HANDLE HALVE	1
10b	-	RIGHT HANDLE HALVE	1
11	662308001	M3 X 5MM SCREW	2
13	525521001	FORWARD/REVERSE SHUTTLE	1
14	201070012	ELECTRONICS ASSEMBLY (CONSISTS OF SWITCH, PCBA, LED AND BATTERY TERMINAL BLOCK)	1
15	691093001	SPRING	1
16	204552014	BLOW MOLDED CARRYING CASE	1
17	941048031	SERVICE NAMEPLATE	1
18	202132002	BELT CLIP ASSEMBLY, OPTIONAL	1
19	-	BELT CLIP, OPTIONAL	1
20	-	BELT CLIP SCREW, OPTIONAL	2
21	-	BRUSH SPRING - RIGHT HAND	2
22	-	BRUSH SPRING - LEFT HAND	2
24	202741001	LEADWIRE/SCREW/WASHER KIT	1
27	-	LEADWIRE ASSEMBLY - BLACK - RIGHT SIDE	1
28	-	LEADWIRE ASSEMBLY - RED - LEFT SIDE	1
31	200624002	BIT HOLDER, OPTIONAL	1



# M18 BDD

SERVICE INSTRUCTION

TTI Model Number: 018 069 020, 021, 023

M18 COMPACT DRILL DRIVER

Bulletin Date:

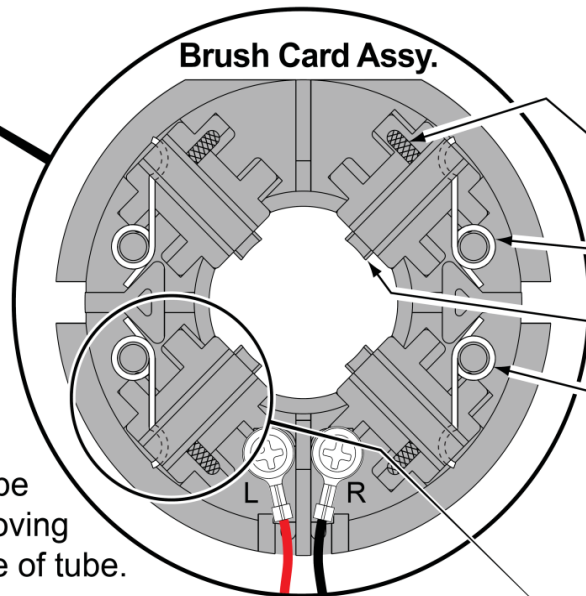
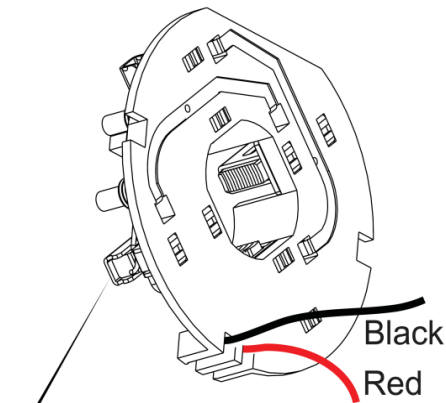
Mar-20

Starting Serial Number:

VERSION A - C2014

## INSTALLING BRUSH SPRINGS ON A BRUSH CARD ASSEMBLY WITH FOUR (4) BRUSHES

There are two Right Hand Brush Springs and two Left Hand Brush Springs. Follow the instructions below for proper installation.

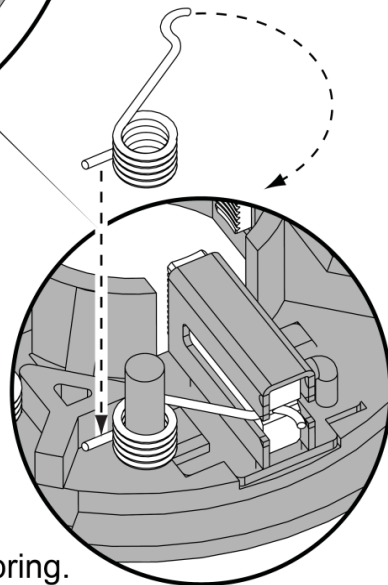


- Brush Shunt (4 places)
- Right Brush Spring (2x)
- Carbon Brush (4x)
- Left Brush Spring (2x)

Be sure carbon brush is in brush tube with brush shunt moving freely in side groove of tube.

Place brush spring over post with short leg positioned downward as shown. Be sure spring is completely down with short leg trapped against 'Y' shaped wall on brush card.

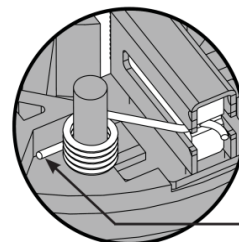
While holding spring in place, bring the long leg of spring over the brush tube and through rear opening of tube. Position rounded hook of spring in groove on back of carbon brush. Be sure to check for free movement between carbon brush, brush shunt and brush spring.



Wrong



Correct



Short leg of spring to the bottom



# M18 BDD

SERVICE INSTRUCTION

TTI Model Number: 018 069 020, 021, 023

M18 COMPACT DRILL DRIVER

Bulletin Date:

Mar-20

Starting Serial Number:

VERSION A - C2014

